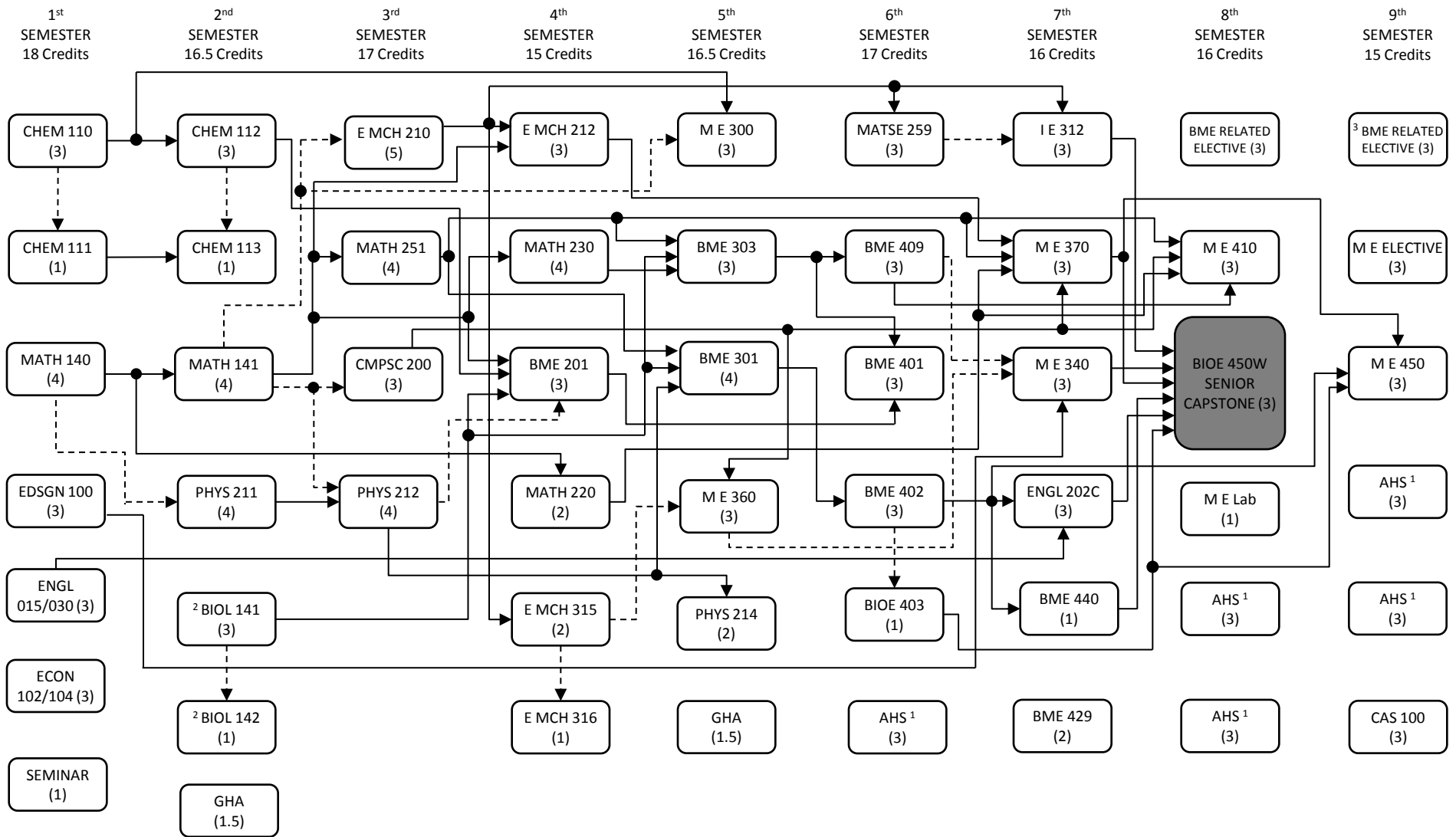


CONCURRENT MAJOR IN BIOMEDICAL ENGINEERING & MECHANICAL ENGINEERING (9 SEMESTERS)



¹ US Cultures and IL Cultures requirements are satisfied in conjunction with AHS courses.
² BIOL240W can be taken as an alternate option to BIOL 141 & 142
³ 3 credits BME Related Elective also needs to meet ME-EET requirements

—————▶ = Prerequisite
 - - - - -▶ = Prerequisite or Concurrent