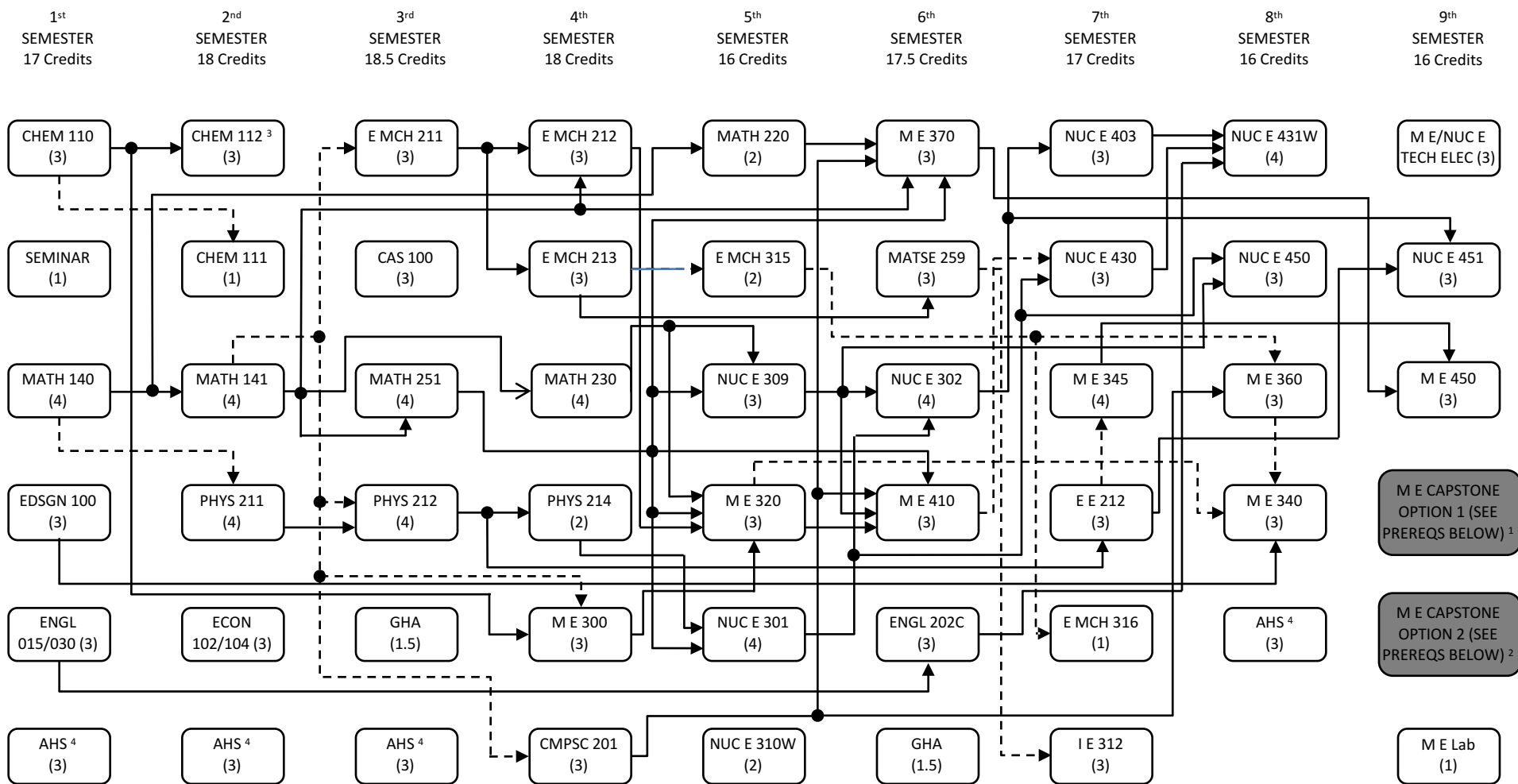


CONCURRENT MAJOR IN MECHANICAL & NUCLEAR ENGINEERING (9 SEMESTERS)



¹ M E CAPSTONE OPTION 1: M E 440W (3 credits) – Prerequisites: M E 340, M E 360, M E 370 Concurrent: I E 312, ENGL 202C

² M E CAPSTONE OPTION 2: M E 441W (3 credits) – Prerequisites: M E 340, M E 410 Concurrent: ENGL 202C

³ BIOL 141 may be substituted for CHEM 112

⁴ US Cultures and IL Cultures requirements are satisfied in conjunction with AHS courses.

*Only one M E CAPSTONE OPTION is required for completion of the M E degree.